



COGEN Czech

COGEN Czech

extends an invitation to

# COGENERATION DAYS 2016

18 and 19 October 2016, Čestlice u Prahy, Aquapalace Hotel Prague

The conference is organised with support provided by the following partners:

General Partners

 MVV Energie CZ

 TEDOM

 E ČEZ ESCO

Main Partners



 e-on

Partner

NA PARTNERSTVÍ ZÁLEŽÍ

 KB

Media Partners

all-for  power

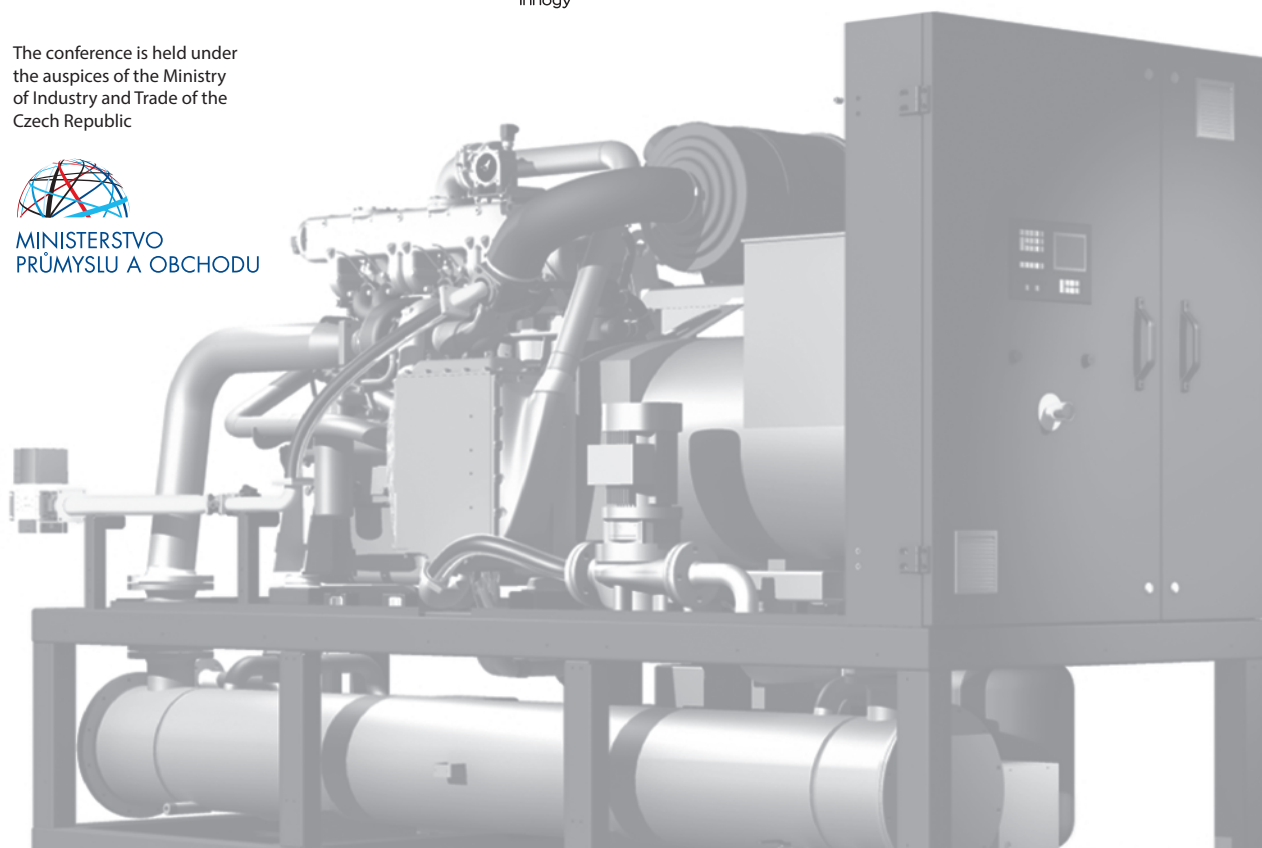
 PRO-ENERGY

 tzbinfo

The conference is held under the auspices of the Ministry of Industry and Trade of the Czech Republic



MINISTERSTVO  
PRŮMYSLU A OBCHODU





# COGENERATION DAYS 2016

18 and 19 October 2016

Čestlice u Prahy  
Aquapalace Hotel Prague



## 18 October 2016

**8:30 – 9:30** Registration

**9:30 – 11:00** Current developments in the energy sector

**The Czech energy sector in the context of the European development**

*Jan Mládek, Ministry of Industry and Trade*

**Gas-fired cogeneration – potential and importance in the future energy sector**

*Josef Jeleček, COGEN Czech*

**Conditions for CHP development in the Czech Republic**

*Mirek Topolánek, District Heating Association, Czech Republic*

**Seeing the bigger picture: A system approach to EU energy strategy**

*Felix Matthes, Öko-institut*

**11:00 – 11:30** Coffee break

**11:30 – 13:00** Cogeneration in the Czech and European energy sector

**CHP policy and market developments in Europe**

*Roberto Francia, Managing Director, COGEN Europe*

**Electricity trading, the virtual power station**

*Jan Palaščík, Amper Market*

**Notification of support for CHP in the Czech Republic; expected changes in legislation**

*Pavel Jirásek, Ministry of Industry and Trade*

**13:00 – 14:00** Lunch

**14:00 – 15:30** Trends and tools in modern energy system

**National Action Plan for Smart Grids**

*Jan Kanta, ČEZ*

**Smart Cities**

*Milan Kyselák, Ministry of Industry and Trade*

**Using KGJ flexibility on the intra-day market**

*Tomáš Mužík, Nano Energies*

**Energy savings: Vision or wishful thinking?**

*Jakub Vít, NCEÚ (National Energy Savings Centre)*

**15:30 – 16:00** Coffee break

**16:00 – 17:30** Panel discussion: Energy security at the local level

*Petr Trombík, National Security Institute*

*Tomáš Voříšek, SEVEN*

*Robert Huďa, innogy Energo*

*Ladislav Švarc, AF-Consult*

**18:00** Social gathering



# COGENERATION DAYS 2016

18 and 19 October 2016

Čestlice u Prahy  
Aquapalace Hotel Prague



## 19 October 2016

**9:30 – 11:00** **Legislative conditions and support for high-efficiency cogeneration**

**New tariff structure**

*René Neděla, ERÚ*

**The forthcoming system of support for small-scale cogeneration**

*Jan Pokorný, ERÚ*

**Amendment to the law on air quality control and the directive on medium-sized combustion plants**

*Pavel Gadas, Ministry of the Environment*

**Metering electricity and heat from supported sources for reporting purposes**

*Milan Balcer, Ministry of Industry and Trade*

**11:00 – 11:30** Coffee break

**11:30 – 13:00** **Practical examples of energy efficiency improvements**

**Biomass ORC units**

*Jakub Maščuch, ČVUT UCEEB*

**Experience with new alternative fuels in dual cogeneration systems;  
PTR installations in low emission zones**

*Petr Cuber, Monika Pullmanová, HEDVIGA GROUP, a.s.*

**Electricity and heat from biomass wastes**

*Filip Ovčáčík, GGC Energy, s.r.o.*

**The HAESBIO 200 TURBINE SET development project**

*Kamil Urban EL-INSTA-ENERGO, s.r.o.*

**Conference closing**

**13:00 – 14:00** Lunch



# COGENERATION DAYS 2016

18 and 19 October 2016

Čestlice u Prahy  
Aquapalace Hotel Prague

## Organisational information

**Registration fee** payments received by **18 September** **by 14 October**

- Participation on both days **CZK 6,000** (CZK 7,260 incl. VAT) **CZK 7,000** (CZK 8,470 incl. VAT)  
COGEN Czech member **CZK 4,000** (CZK 4,840 incl. VAT) **CZK 5,000** (CZK 6,050 incl. VAT)
- On day two only **CZK 2,000** (CZK 2,420 incl. VAT) **CZK 3,000** (CZK 3,630 incl. VAT)  
COGEN Czech member **CZK 1,200** (CZK 1,452 incl. VAT) **CZK 1,700** (CZK 2,057 incl. VAT)

**Discounted fee** **CZK 500** (CZK 605 incl. VAT, does not cover the social gathering)

Delegates of academic institutions

(teachers, graduate students, doctoral students – a limited number only)

Please send nominations to COGEN Czech, Olga Solaříková, solarikova@cogen.cz

**Registration fees must be paid in advance.** The invoice will be rendered within 15 days from the conference. Please remit the registration fee together with sending the registration form, but no later than by 14 October 2016.

Česká spořitelna, Rytířská 29, 110 00 Praha 1

Acc. no.: 1933601339, sort code 0800,

payment identification number ['variable symbol']: 18191016

Advice for payee ['zpráva pro příjemce']: Conference participant's name

'Specific symbol': your company's / organisation's Company No. / Reg. No.

Payments from abroad:

IBAN: CZ21 0800 0000 0019 3360 1339, SWIFT: GIBACZPX

Bank: Česká spořitelna, Rytířská 29, 100 00 Praha 1

Acc. no. 1933601339, sort code 0800,

payment identification number ['variable symbol'] 18191016

**Organiser's address:** COGEN Czech, Jičínská 226/17, 130 00 Praha 3 – Žižkov

**Accommodation:** Aquapalace hotel Prague, Pražská 137, 251 01 Čestlice

tel.: 225 108 888, fax: 225 108 999, [www.aquapalacehotel.cz](http://www.aquapalacehotel.cz)

Accommodation is not included in the registration fee. Please fill in the hotel's room booking form (attached) and send it to [reservation.mgr@aquapalacehotel.cz](mailto:reservation.mgr@aquapalacehotel.cz) by 18 September 2016.



**Conference services, acceptance of conference registration forms:**

COGEN Czech PR & Administration, Jičínská 226/17, 130 00 Praha 3 – Žižkov

Olga Solaříková, tel: 602 650 914, [solarikova@cogen.cz](mailto:solarikova@cogen.cz)

The conference registration form is available at [www.cogen.cz](http://www.cogen.cz)



The conference languages are Czech/Slovak and English. Simultaneous interpreting will be provided on 18 October 2016, the first day only.